

EQUIP. TYPE *330A/URR* EXP. NO.

COL. 93129500

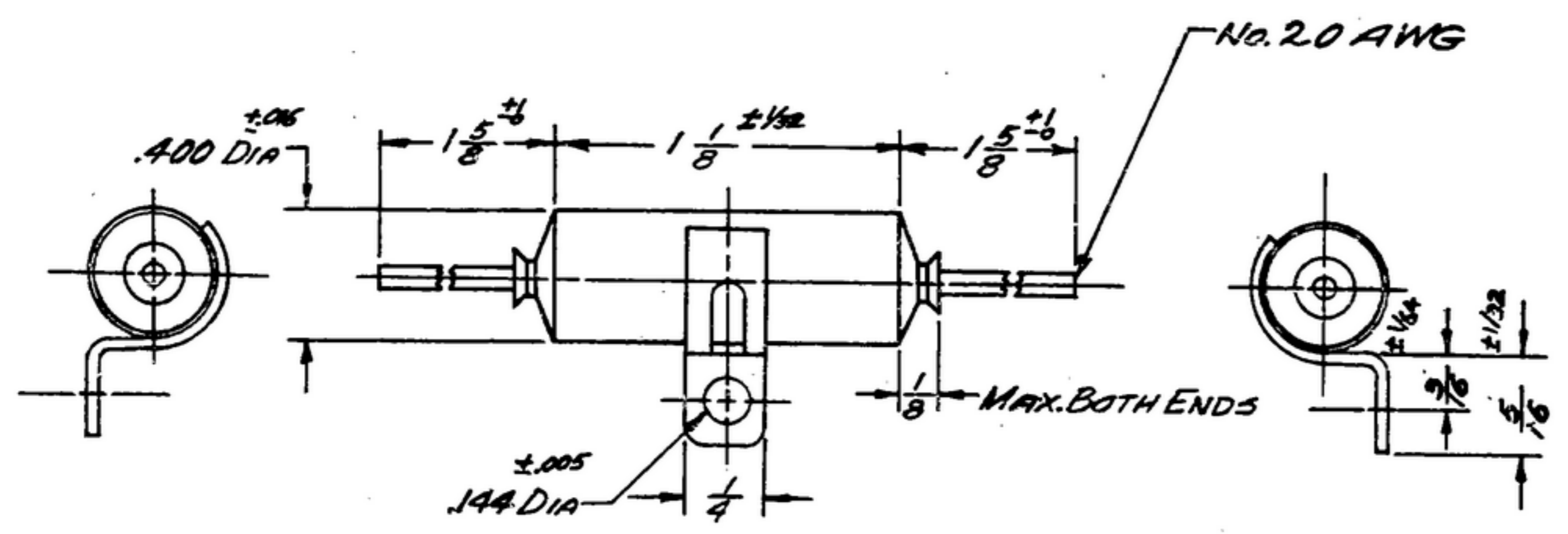
NOTICE: WHEN GOVERNMENT DRAWINGS, SPECIFICATIONS, OR OTHER DATA ARE USED FOR ANY PURPOSE OTHER THAN IN CONNECTION WITH A DEFINITELY RELATED GOVERNMENT PROCUREMENT OPERATION, THE UNITED STATES GOVERNMENT THEREBY INCURS NO RESPONSIBILITY FOR ANY OMISSION, WHATSOEVER, AND THE FACT THAT THE GOVERNMENT MAY HAVE PROMULGATED, PROVIDED, OR IN ANY WAY SUPPLIED THE SAID DRAWINGS, SPECIFICATIONS, OR OTHER DATA IS NOT TO BE REGARDED AS IMPLICATION OR OTHERWISE AS IN ANY MANNER LICENSING THE HOLDER OR ANY OTHER PERSON BY CONTRIBUTION, OR CONFERRING ANY RIGHTS OR PERMISSION TO MANUFACTURE, USE, OR SELL ANY PATENTED INVENTION THAT MAY IN ANY WAY BE RELATED THERETO.

THIS DOCUMENT HAS BEEN PURCHASED BY THE GOVERNMENT AND MAY BE REPRODUCED AND USED IN CONNECTION WITH ANY GOVERNMENT PROCUREMENT OR MAINTENANCE OPERATION.

*FOR INFORMATION ONLY. CONTRACTOR MAY AT HIS OPTION DEVIATE FROM THESE PROCESS DETAILS.

X SWE APPROVAL
SYM *PR 10042-7*

| REVISIONS | | | |
|----------------------|--|--------------------|----------------------------|
| SYM | DESCRIPTION | DATE | APPROVAL |
| <i>A₂</i> | <i>A₁ - .22 MFD WAS .22 μf A₂ - ADDED MARKING NOTE</i> | <i>19 OCT 59</i> | <i>21582-PC-61 PME</i> |
| <i>B₁</i> | <i>(1) NOTE 1, PART NO. WAS 96P22401S13, SPRAGUE ELECT CO.</i> | <i>22 MAR 1965</i> | <i>21582-PC-61 PME</i> |



B₁

NOTES:
1. PART SHALL BE TYPE C10A1KB224K1 PER SPEC MIL-C-25.

DESCRIPTION: FIXED PAPER-DIELECTRIC CAPACITOR WITH HIGH TEMPERATURE IMPREGNANT, HERMETICALLY SEALED IN A TUBULAR METALLIC CASE, IN ACCORDANCE WITH SPEC MIL-C-25 WITH EXCEPTIONS AS INDICATED.

NON-APPLICABLE PARAGRAPHS MIL-C-25: 1.2 EXCEPT TABLE III; 3.1; 3.18; 4.5 EXCEPT TABLE XI AND 6.2. PARAGRAPH 4.5 CHANGE THE WORD GOVERNMENT TO MANUFACTURER WHEREVER IT APPEARS.

A₁

CAPACITY: .22 MFD ±20%
WORKING VOLTAGE: 100 VOLTS D.C.
CIRCUIT: BOTH ENDS FLOATING
CHARACTERISTIC: K, EXCEPT INSULATION RESISTANCE AND CAPACITY CHANGE WHICH SHALL BE AS FOLLOWS:
MEG OHMS TIMES MICROFARADS:
AT 25°C (77°F) 4,700
AT HIGH TEST TEMPERATURE 20
INSULATION RESISTANCE IN MEG OHMS:
AT 25°C (77°F) 10,000
AT 85°C 1,000
AT HIGH TEST TEMPERATURE 350
CAPACITANCE CHANGE IN PERCENT AT LOW AMBIENT TEST TEMPERATURE FROM VALUE AT 25°C (77°F) 8.5
LIFE TEST DIRECT VOLTAGE IN PERCENT OF DIRECT VOLTAGE RATING AT 40°C (104°F) 140

A₂

MARKING: MARK CAPACITOR WITH CAPACITY, TOLERANCE, WORKING VOLTS AND MANUFACTURER'S NAME, SYMBOL OR REGISTERED TRADE MARK AND TYPE NO. ALL MARKING SHALL MEET THE TEST REQUIREMENTS OF SPEC MIL-M-13231
***SAMPLES OF REPRESENTATIVE UNITS MUST BE SUBMITTED FOR TYPE TEST APPROVAL BY THE CONTRACTOR BEFORE SHIPMENT OF PRODUCTION QUANTITIES.**

** WHEN PART NO. APPEARS AS 559-0424-93, MILITARY SOURCE INSPECTION IS REQUIRED.*

| COLLINS PART NO. | ITEM | REQD. | PART NO. | DESCRIPTION | MAP. | U.S.P. SPEC. |
|--------------------------------------|------|-------|----------|-------------|------|--------------|
| LIST OF MATERIAL | | | | | | |
| COLLINS PART NO. <i>559-0424-003</i> | | | | | | |

| | | | | | | |
|---|----------|--------------------|--------------------------------------|-------------|--|--|
| DRAWN <i>D. WRIGHT</i> | | | CHECKED <i>EG</i> | APPROVED | COLLINS RADIO CO. <i>14214-PH-51-93</i> | DEPARTMENT OF THE ARMY SIGNAL CORPS ENGINEERING LABORATORIES FORT MONMOUTH NEW JERSEY <i>5M-C-283240</i> |
| UNLESS OTHERWISE SPECIFIED: DECIMAL DIMENSIONS INCLUDING HOLE SIZES MAY VARY ±.005 FRACTIONAL DIMENSIONS INCLUDING HOLE SIZES MAY VARY ±1/64 MACHINED ANGLES MAY VARY ±.1° BREAMED ANGLES MAY VARY ±.25° BROKEN ANGLES MAY VARY ±.1° ECCENTRICITY BETWEEN ANY DIAMETERS ON THE SAME CENTERLINE SHALL NOT EXCEED .010 TOTAL INDICATOR READING. ALL DIMENSIONS ARE FINISH DIMENSIONS INCLUDING APPLIED FINISH AND ARE GIVEN IN INCHES. | | | SIGNAL CORPS | | CAPACITOR-FIXED | |
| REVIEWED <i>PME</i> | | | APPROVED <i>HLV</i> <i>PME</i> | | | |
| DATE <i>28 APRIL 58</i> SCALE <i>2/1</i> | | | | | | |
| COLLINS NO. | QTY | NEXT ASSY | USED ON | APPLICATION | | |
| <i>559-0424-003-1</i> | <i>1</i> | <i>5M-C-283240</i> | <i>5M-C-283240</i> | | | |